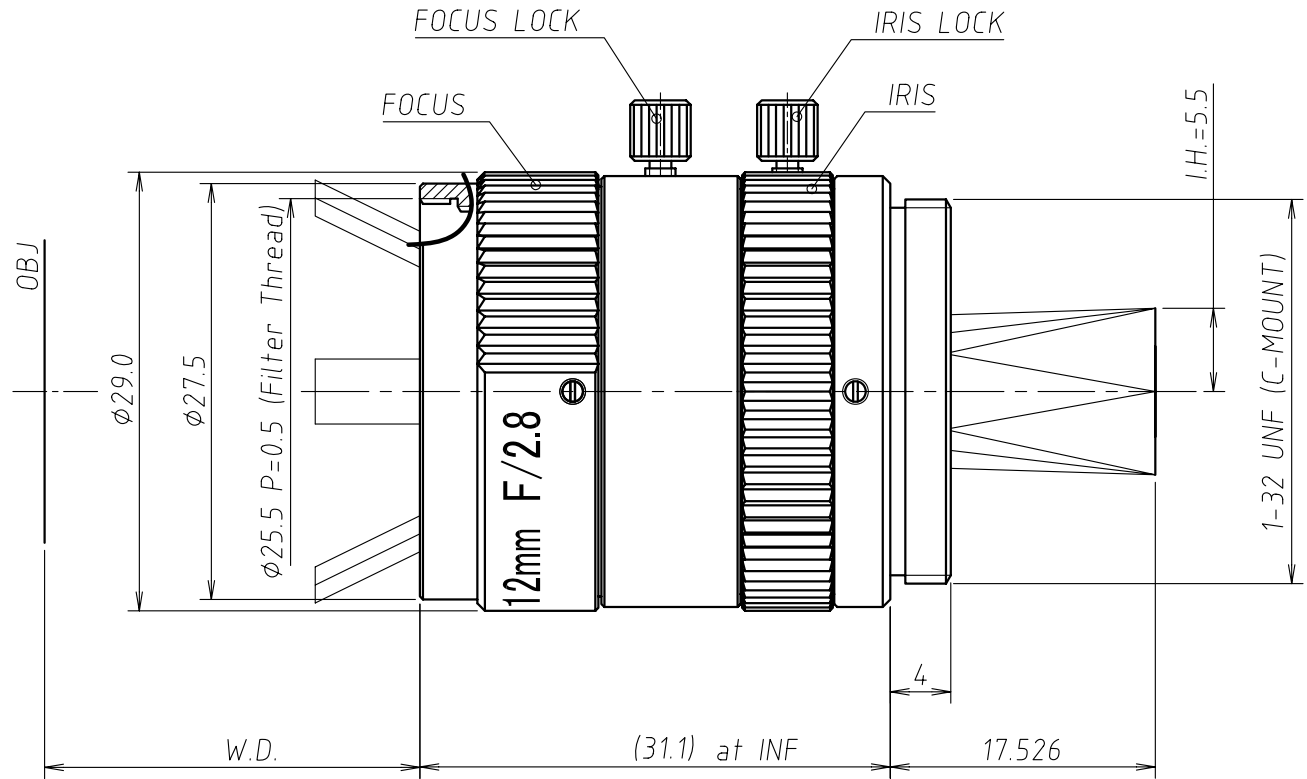


Lens Specification	
Focal length	12.08 mm (at $\lambda = 250\text{nm}$)
Back focal length	15.44 mm
Mechanical back	13.526 mm
Aperture ratio	F/2.8~F/16
Image size	2/3" (6.6mm×8.8mm)
Magnification	
Distortion	-6.8 %
Angle of view at INF.	
Vertical	31.3 °
Horizontal	41.7 °
Diagonal	52.1 °
Resolution	
Center	120 LP/mm
Corner	20 LP/mm
Pupil positions from the lens surface.	
Entrance pupil	9.70 mm (Front lens)
Exit pupil	-30.02 mm (Image plane)
Principal points from the lens surface.	
Object space	19.92 mm (Front lens)
Image space	-12.08 mm (Image plane)
Coating ($\lambda = 250\text{nm}$)	
All surfaces are antireflection coated. MgF2 single coated.	

Note:



				UNIVERSE KOGAKU (AMERICA), INC. 116 Audrey Avenue, Oyster Bay, New York 11771 Phone: (516)624-2444/Fax: (516)624-3109			
				TITLE	12mm F/2.8 UV LENS		
				P/NO.	UV1228CM		
				Mfg.NO.	VH420A-Y01-0		
	12/23/2009			SHEET 1 OF 1	REV	A	